

C. A. Sterling,

Fluting Iron.

N<sup>o</sup> 57,403.

Patented Aug. 21, 1866.

Fig. 1.

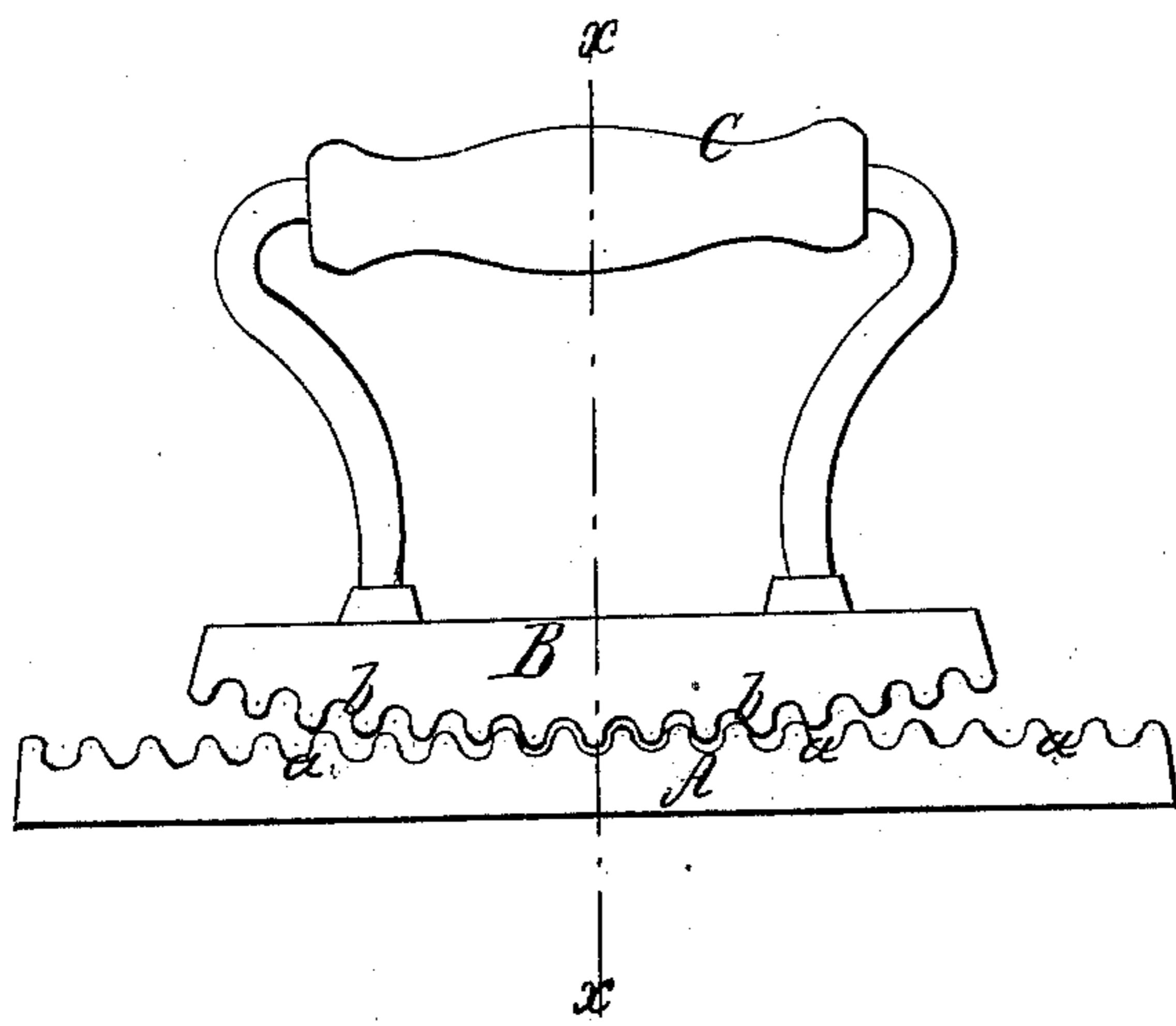
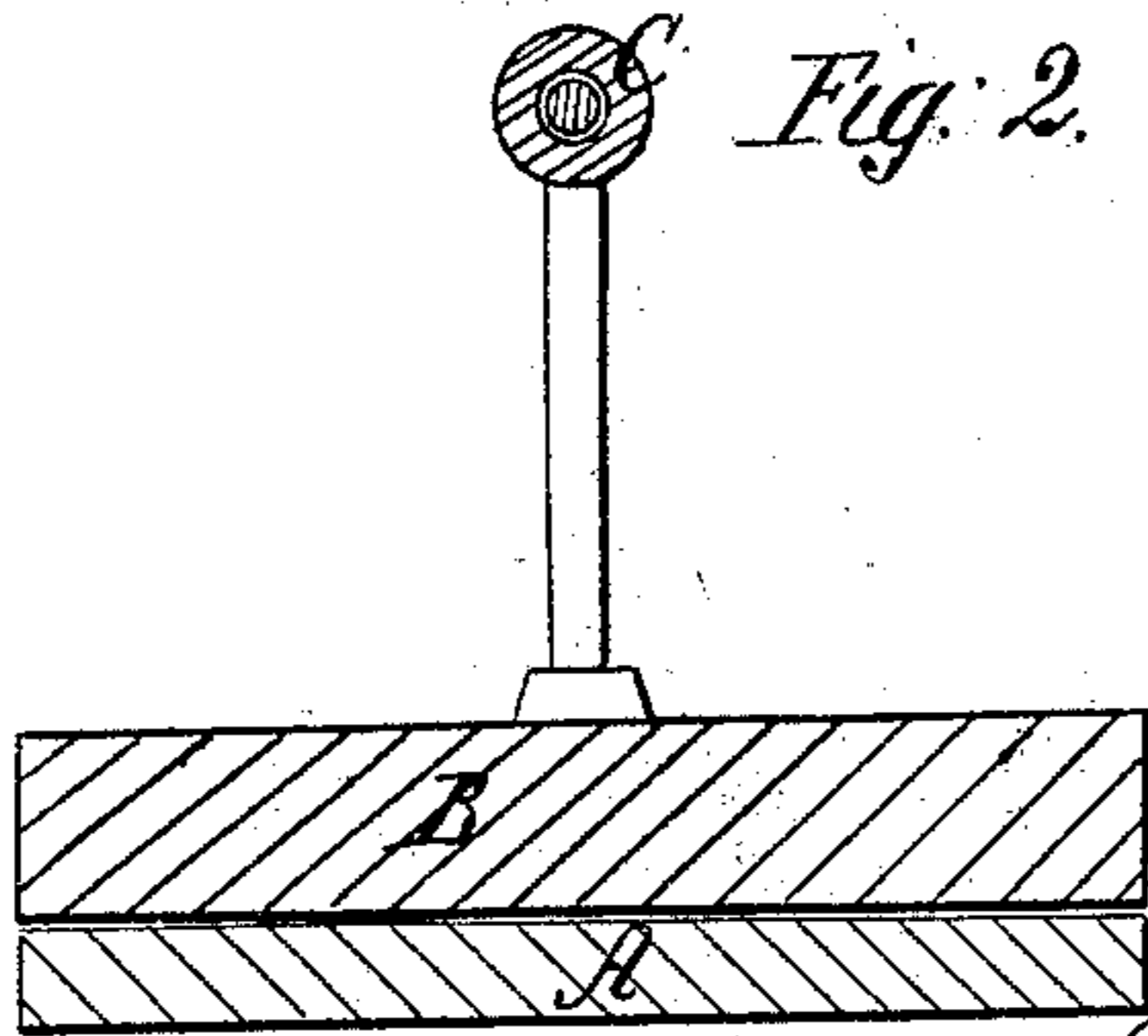


Fig. 2.



Witnesses;  
Mrs. Longton  
M. M. Weston

Inventor;  
C. A. Sterling  
Per *[Signature]*  
Attorneys

# UNITED STATES PATENT OFFICE.

CHARLES A. STERLING, OF NEW YORK, N. Y.

## IMPROVEMENT IN FLUTING-MACHINES.

Specification forming part of Letters Patent No. 57,403, dated August 21, 1866.

*To all whom it may concern:*

Be it known that I, CHARLES A. STERLING, of the city, county, and State of New York, have invented a new and Improved Fluting-Iron; and I do hereby declare that the following is a full, clear, and exact description thereof, which will enable others skilled in the art to make and use the same, reference being had to the accompanying drawings, forming part of this specification, in which—

Figure 1 represents a side elevation of this invention. Fig. 2 is a transverse section of the same, taken in the plane indicated by the line *x x*, Fig. 1.

Similar letters of reference indicate like parts.

This invention relates to a fluting-iron composed of a flat corrugated bed and a segmental corrugated presser, the corrugations of the presser being made to match with those of the bed in such a manner that by the combined action of the bed and presser textile fabrics or other flexible materials can be fluted with the greatest ease and facility.

A represents the bed, which is made of cast-iron or other suitable material which will bear heating. On its upper surface this bed is provided with corrugations *a*, of any desirable pitch, which match with the corrugations *b* in the convex surface of the presser B. This

presser is also made of cast-iron or other suitable material, and it is provided with a handle, C, so that it can be conveniently operated.

The operation is as follows: The bed A is heated, so that the fabric or material to be fluted can be placed on it without injury, and after said material has been adjusted in the proper position the presser, which may also be heated, is carried over it. By the combined action of the bed and presser the material is fluted in the desired manner.

It is obvious that the corrugations in the bed and presser can be made of any desired fineness, according to the article to be fluted, and a fluting-iron is obtained which can be made at a trifling cost, and which produces the desired effect in many cases more perfectly than the costly fluting-machines now in use.

Having thus described my invention, I claim as new and desire to secure by Letters Patent—

A fluting-machine composed of a corrugated bed, A, and a correspondingly-corrugated segmental presser, B, substantially as set forth.

CHAS. A. STERLING.

Witnesses:

WM. F. MCNAMARA,  
W. HAUFF.